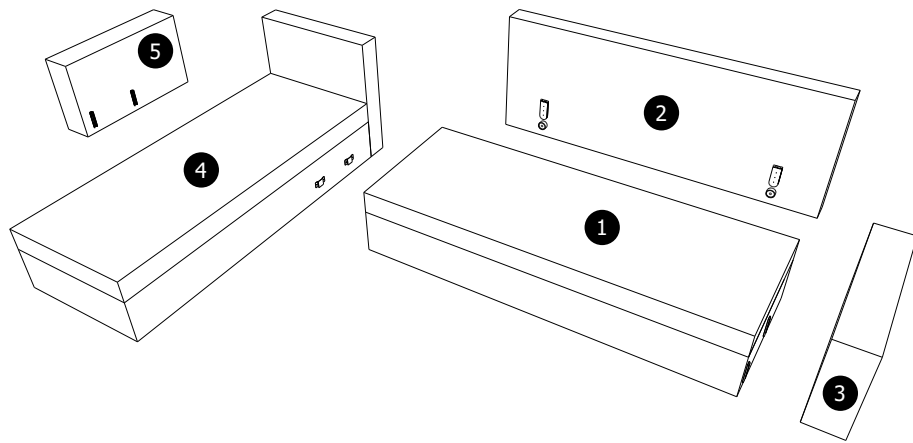
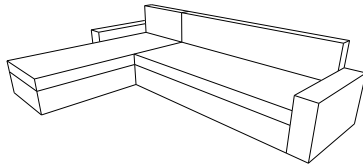
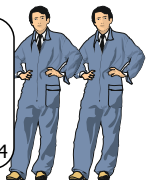
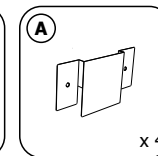
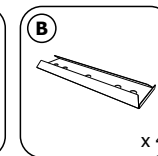
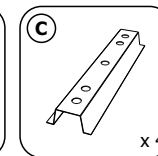
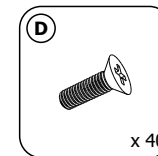
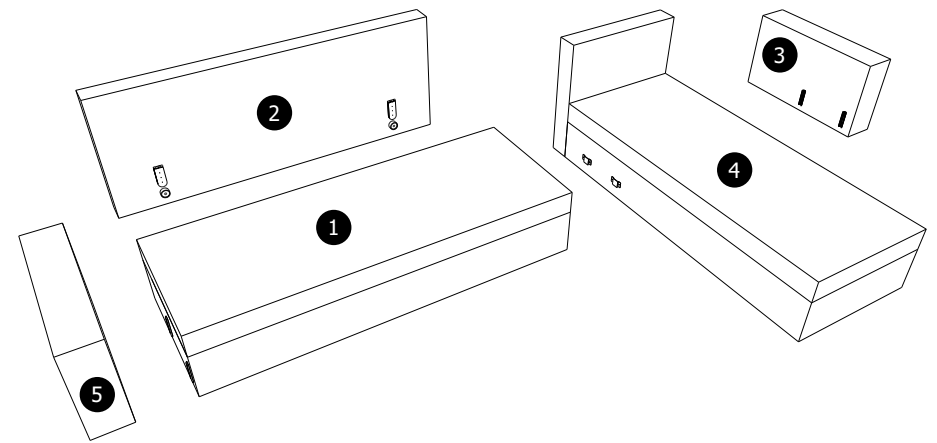
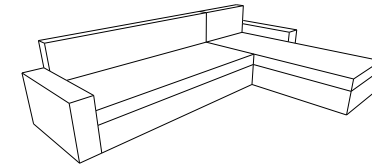


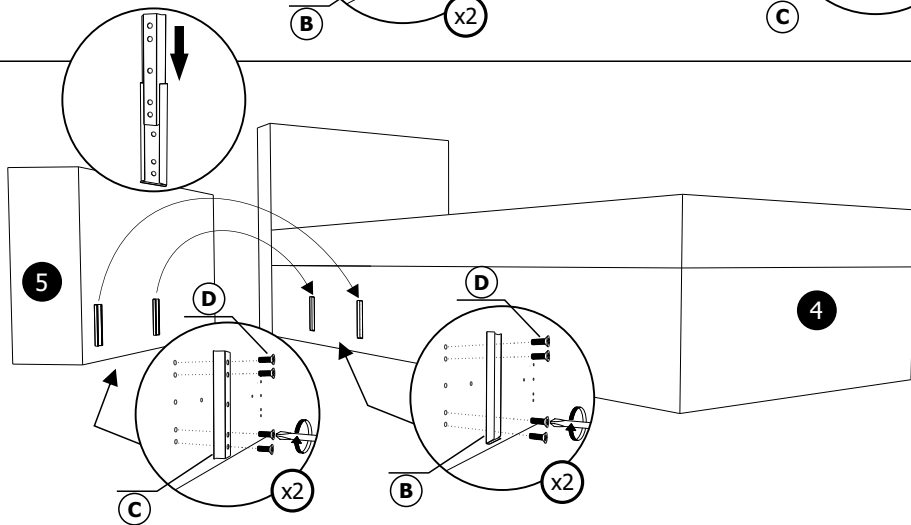
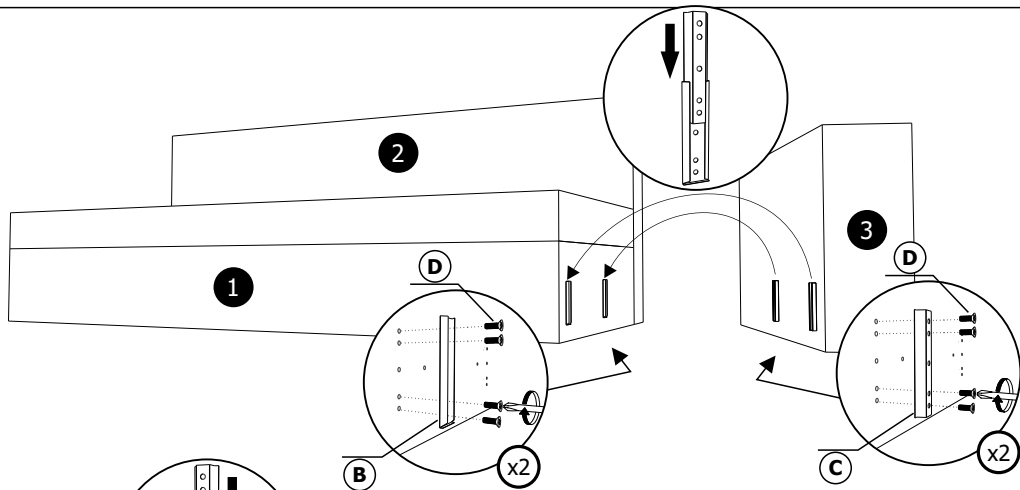
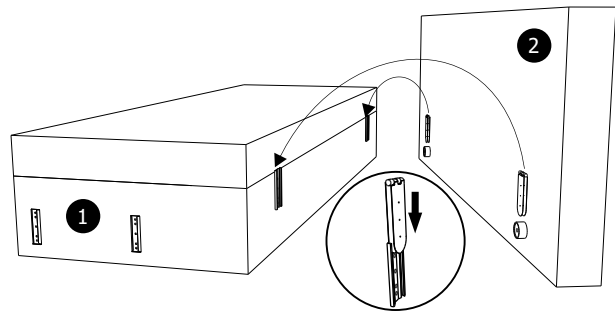
NEWARK - L



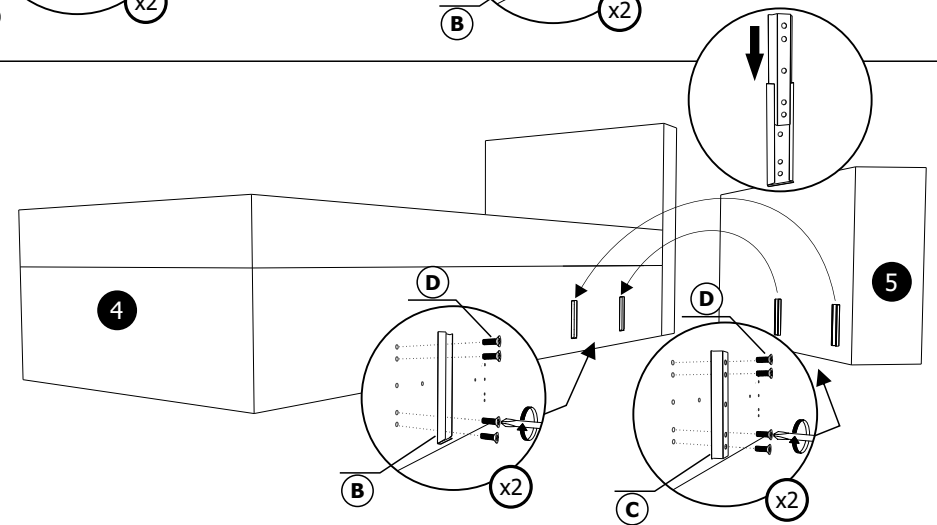
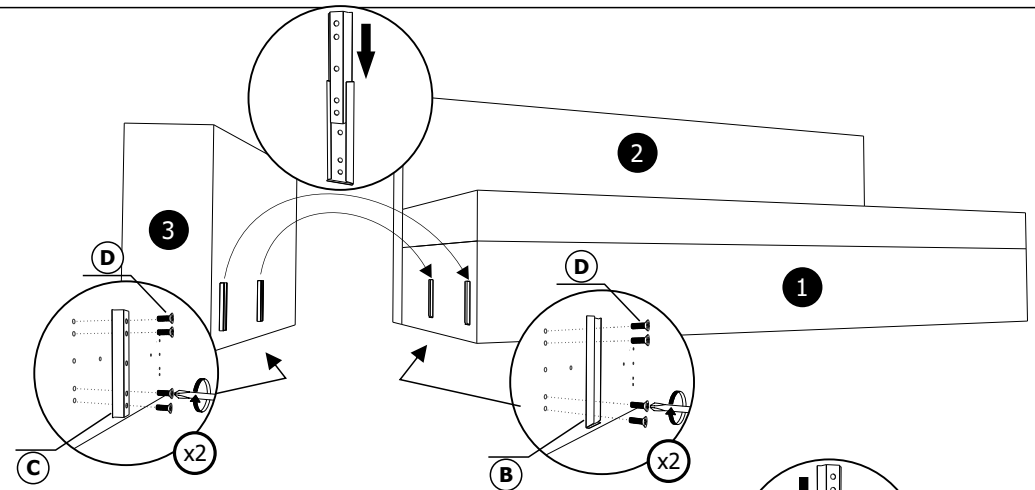
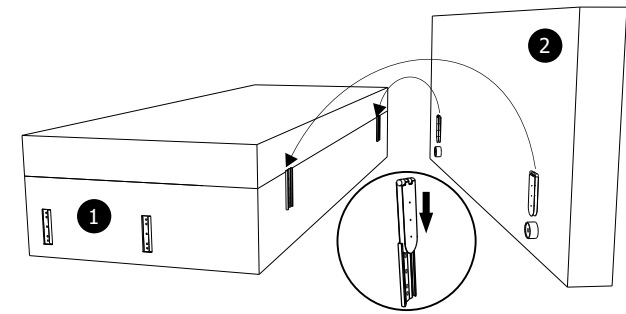
NEWARK - R



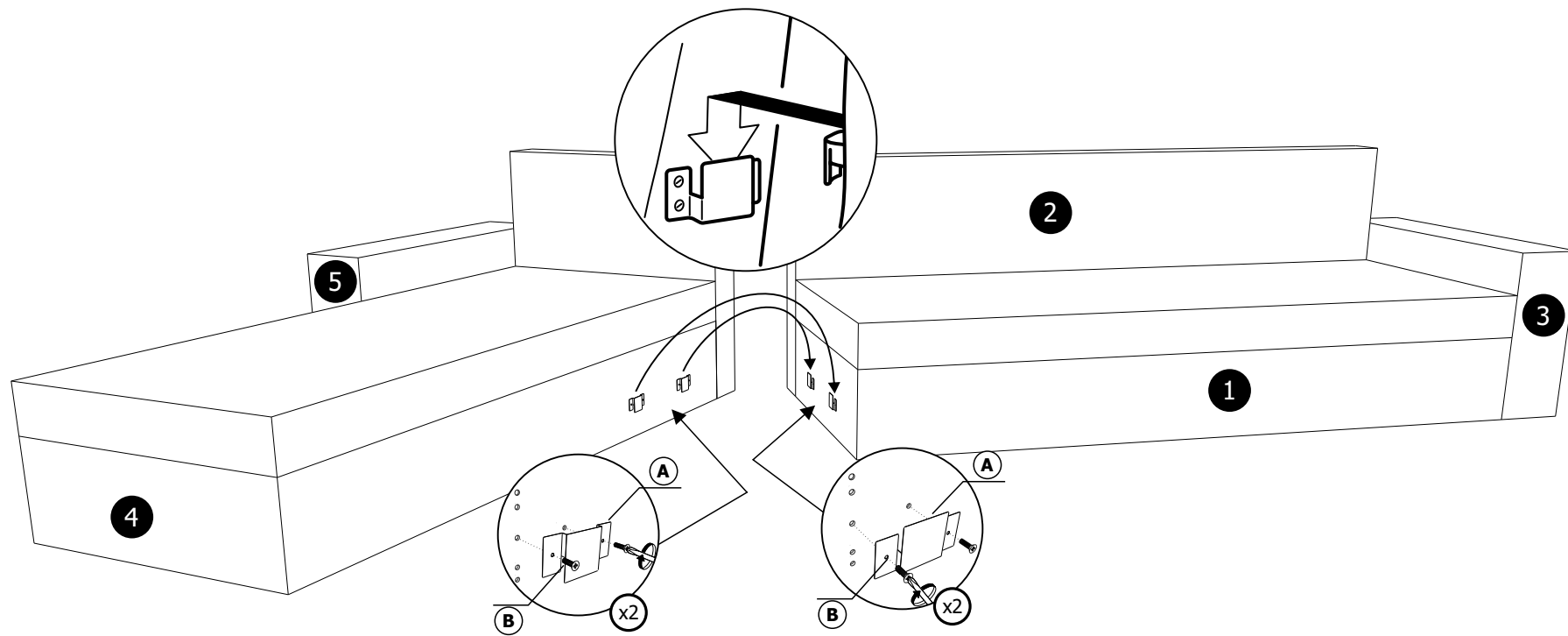
NEWARK - L



NEWARK - R



NEWARK - L



NEWARK - R

